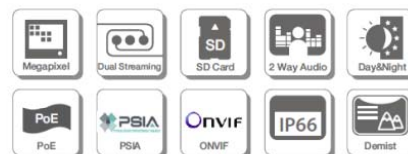


TN-BT20

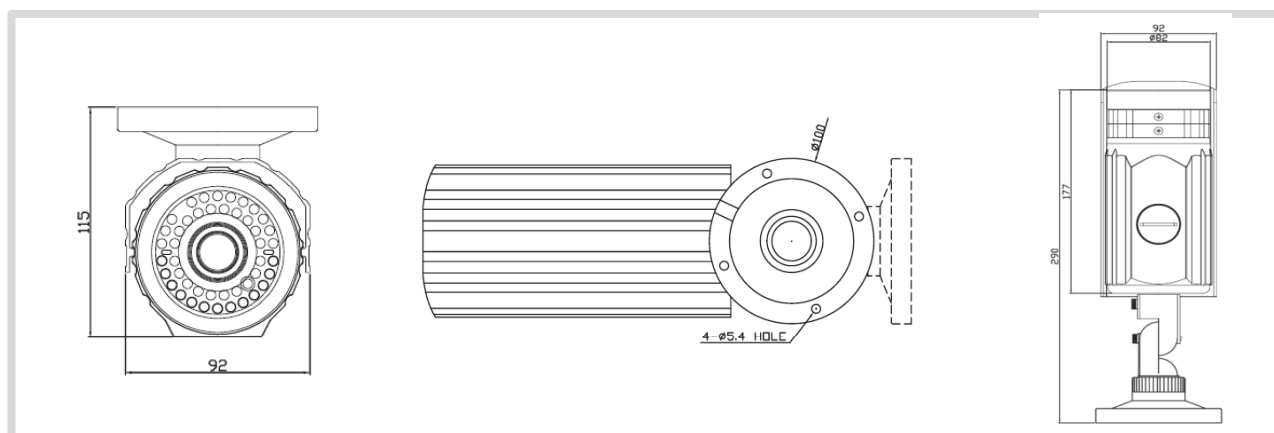
“1080p60 Full HD IP Bullet Camera”



- 1/3" Progressive Scan Panasonic CMOS
- **Max 60fps @ 1920 x 1080 with H.264 compression algorithm**
- f= 3 ~ 9mm, DC auto iris, IR cut Filter removable
- Min. 0.03lux (Color), 0Lux (IR LED ON)
- Dual Streaming (H.264/H.264, H.264/MJPEG)
- True Day & Night(ICR)
- IP 66 Rated Protection
- SD/SDHC Slot for Local Storage
- Powerful Demist (Anti-Foggy)
- Two Way Audio Communication (G.711/AAC)
- ONVIF, PSIA Compliant
- FTP Recording
- PoE(Power over Ethernet) : 802.3af
- Adjustable Video Bitrate : 32Kbps ~ 10Mbps for Primary Video, 32Kbps ~ 1Mbps for Secondary Video
- Composite Video Output for Lens Adjustment
- Various Type of Event ; Sensor, Video Loss, Motion Detection



Dimension



Specification

Section		TN-BT20C
Camera	Image sensor	1/3" Progressive scan CMOS
	Lens type	Auto DC iris, Varifocal lens, IR cut filter
	Lens mount	N/A
	Zoom	N/A
	Focal length	f= 3 ~ 9mm
	Maximum aperture ratio	F1.4
	Angle of view	Horizontal : 92.9°(wide) ~ 31.7°(tele), Vertical : 67.9°(wide) ~ 23.7°(tele)
	Minimum illumination	0.3Lux(color), 0.2Lux(B/W) with 50IRE
	Electronic shutter speed	1 ~ 1/1,000 sec
	Privacy masking	4 regions
	Flip mode	Horizontal, Vertical
	Image enhancement	AGC, AE, AWB, TDN, BLC, DNR, DSS
	IR LED	35pcs, 20m
Video	Compression	H.264, MJPEG
	Frame rate	Max 60fps @ 1920x1080
	Bitrate	Primary: 32Kbps ~ 16Mbps, Secondary: 32Kbps ~ 4Mbps
	Resolutions	352x240 ~ 1920x1080
	Streaming	Primary : H.264, Secondary x 3 : H.264/MJPEG
	Burn-in OSD	Multi-lingual
	Output	Composite
Audio	Compression	G.711 / AAC
	Sampling rate	G.711 : 8KHz, AAC : 32KHz
	Bitrate	G.711 : 64Kbps, AAC: 64Kbps/128Kbps
	Streaming	Full duplex
	Input/Output	1 x Line-In (stereo, mini-stereo type), 1 x Line-Out (stereo, mini-stereo type)
Network	Interface	Ethernet 10/100base-T (RJ-45)
	Protocol	IPv4/v6, TCP, UDP, IGMP(Multicast), ICMP,DHCP, HTTP, HTTPS, RTP, RTSP, FTP, SNMP, SMTP, UPnP, WS-Discovery, Zero Configuration, NTP, DDNS
	Security	Password protection, IP address filtering, HTTPS encryption
	Application programming interface	Truen protocol/SDK, ONVIF, PSIA, MPEG-TS
Event and Alarm	Event sources	Motion, Sensor input, Client disconnection
	Event actions	Notification(E-mail), FTP, PTZ preset, Alarm control, Recording
General	Housing	IP67
	Certifications	TBD
	External devices	1 x Sensor-In (dry contact, NO/NC) 1 x Alarm-Out (dry contact, NC) 1 x RS-485 port : PTZ control etc.
	Edge storage	SD/SDHC slot
	Power supply	Min DC 12V/1.5A, PoE(Power over Ethernet) : 802.3af
	Power consumption	DC12V/PoE : Max 11.4W
	Operating condition	-10°C ~ 50°C (14°F ~ 122°F) / 20% ~ 80% RH
	Dimension	Ø82 x 290(L) [mm]
	Weight	1,310g

TN-D20 / D20IR

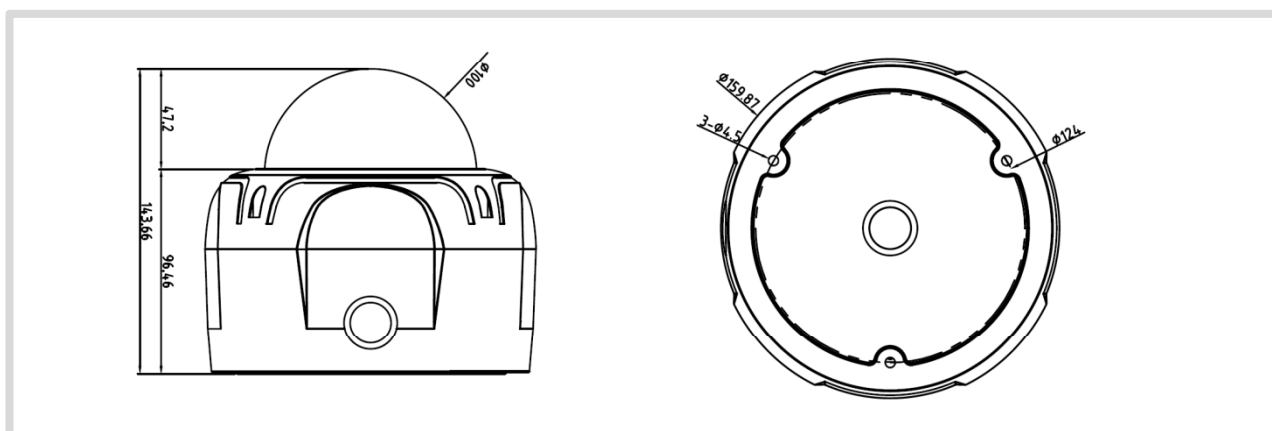
“1080p60 Full HD IP Vandal Dome Camera”



- 1/3" Panasonic Progressive Scan CMOS
- **Max 60fps @ 1920 x 1080 with H.264 compression algorithm**
- f=3 - 9mm, Auto Iris varifocal lens, IR Cut filter
- 0.03lux(day), 0.02lux(night) with 50IRE
- Dual Streaming (H.264/H.264, H.264/MJPEG)
- True Day & Night(ICR)
- RS-485 Communication, Various Type of Protocol supported
- Motion Detection
- Two Way Audio Communication (G.711/AAC)
- ONVIF, PSIA Compliant
- Vandal-Proof & IP66
- PoE(Power over Ethernet) : 802.3af
- Adjustable Video Bitrate : 32Kbps ~ 10Mbps for Primary Video, 32Kbps ~ 1Mbps for Secondary Video
- Composite Video Output for Lens Adjustment
- SD Slot for Instant Recording



Dimension



Specification

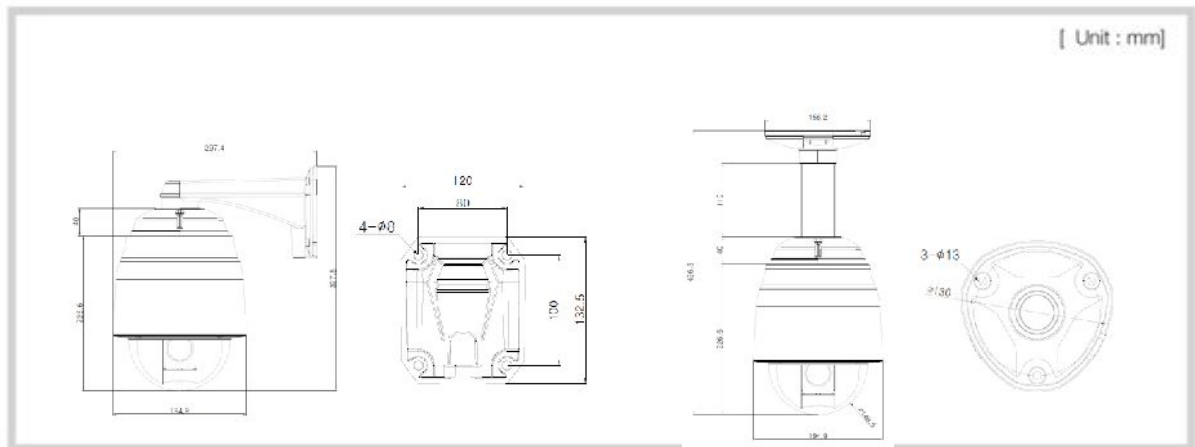
Section		TN-D20 / D20IR
Camera	Image sensor	1/3" Progressive scan CMOS
	Lens type	Auto DC iris, Varifocal lens, IR cut filter
	Lens mount	N/A
	Zoom	N/A
	Focal length	f= 3 ~ 9mm
	Maximum aperture ratio	F1.4
	Angle of view	Horizontal : 92.9°(wide) ~ 31.7°(tele), Vertical : 67.9°(wide) ~ 23.7°(tele)
	Minimum illumination	0.3Lux(color), 0.2Lux(B/W) with 50IRE
	Electronic shutter speed	1 ~ 1/1,000 sec
	Privacy masking	4 regions
	Flip mode	Horizontal, Vertical
	Image enhancement	AGC, AE, AWB, TDN, BLC, DNR, DSS
	IR LED	24pcs, 20m
Video	Compression	H.264, MJPEG
	Frame rate	Max 60fps @ 1920x1080
	Bitrate	Primary: 32Kbps ~ 16Mbps, Secondary: 32Kbps ~ 4Mbps
	Resolutions	352x240 ~ 1920x1080
	Streaming	Primary : H.264, Secondary x 3 : H.264/MJPEG
	Burn-in OSD	Multi-lingual
	Output	Composite
Audio	Compression	G.711 / AAC
	Sampling rate	G.711 : 8KHz, AAC : 32KHz
	Bitrate	G.711 : 64Kbps, AAC: 64Kbps/128Kbps
	Streaming	Full duplex
	Input/Output	1 x Line-In (mono, RCA type), 1 x Line-Out (mono, RCA type)
Network	Interface	Ethernet 10/100/1000base-T (RJ-45)
	Protocol	IPv4/v6, TCP, UDP, IGMP(Multicast), ICMP,DHCP, HTTP, HTTPS, RTP, RTSP, FTP, SNMP, SMTP, UPnP, WS-Discovery,Zero Configuration, NTP, DDNS
	Security	Password protection, IP address filtering, HTTPS encryption
	Application programming interface	Truen protocol/SDK, ONVIF, PSIA, MPEG-TS
Event and Alarm	Event sources	Motion, Sensor input, Client disconnection
	Event actions	Notification(E-mail), FTP, Alarm control, Recording
General	Housing	Vandal dome, IP67
	Certifications	TBD
	External devices	1 x Sensor-In (dry contact, NO/NC) 1 x Alarm-Out (dry contact, NC) 1 x RS-485 port : PTZ control etc.
	Edge storage	SD/SDHC slot
	Power supply	Min DC 12V/1.5A, PoE(Power over Ethernet) : 802.3af
	Power consumption	DC12V/PoE : Max 7.5W
	Operating condition	-10°C ~ 50°C (14°F ~ 122°F) / 20% ~ 80% RH
	Dimension	Ø100 for vandal dome, Ø149.8 for bottom
Weight	1,540g	

TruenCAM-570-S12T

Caméra Dôme IP PTZ Megapixel 720p



- Capteur CMOS 1/4"
- Résolution 1280 x 720 à 30 images/s
- Anti éblouissement BLC & WDR
- ASER(Auto Slow Exposure Response)
- Caméra jour nuit avec filtre IR
- Débit réglable de 32kbps ~ 10mbps
- Stockage local par SD card, distant par FTP
- Communication audio bidirectionnelle (G.711/AAC)
- PoE(Power over Ethernet) : 802.3at
- Zoom x 20 optique et x12 digital
- focale=3.5mm ~ 70mm, F1.6 ~ F3.5
- Sortie vidéo composite et HD-SDI (en option)
- 360° sans butée
- 128 presets, 8 swings, 4 patterns, 8 groups
- privacy mask function
- Vandal-proof, IP67
- ONVIF, PSIA compliant



WALL MOUNT TYPE

CEILING MOUNT TYPE

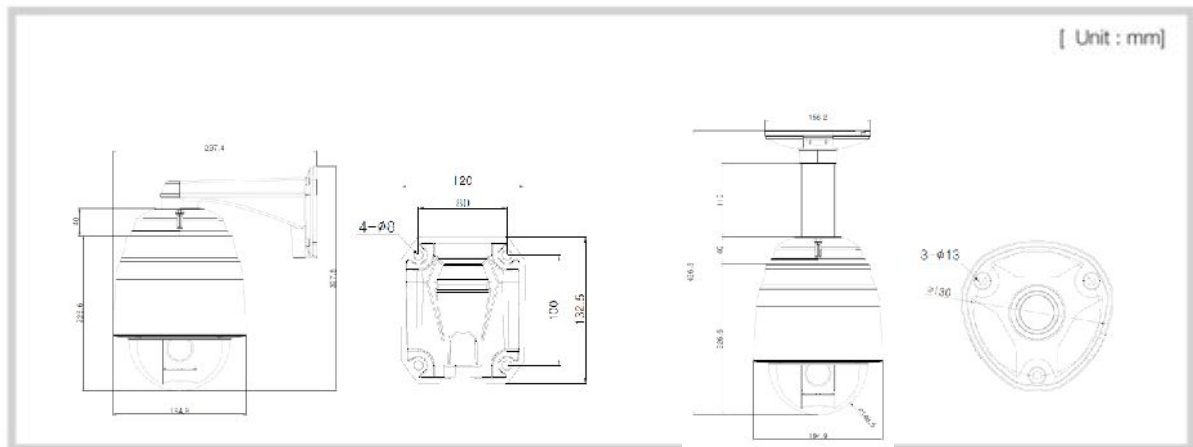
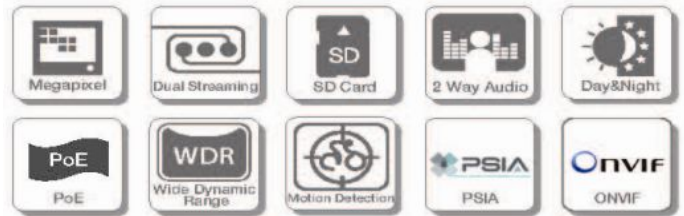
Section		TruenCAM-570-S12xT
Camera	Capteur	1/4" Exmor CMOS
	Zoom	Optique x20 et numérique x12
	Focale/ouverture/shutter	f= 3.5 ~ 98mm, F1.35 ~ F3.7, 1 ~ 1/10000 sec
	Angle de vue	Horizontal : 55.9°(grand angle) ~ 2.9°(zoom)
	Sensibilité	Normal : 1.0Lux(couleur), 0.3Lux(N&B, filtre ICR On) Haute sensibilité: 0.25Lux(couleur), 0.03Lux (N&B, filtre ICR On)
	Masques privatifs, Flip	Yes, Horizontal, Vertical
	Amélioration d'image	AE, AWB, AGC, TDN, WDR, BLC, DNR, DSS
Video	Compression/résolution	H.264, MJPEG, de 352x240 à 1280x720
	Nombre Images/s	Max 30 Images/s @ 1280x720
	Débit des deux flux	Primaire: 32Kbps ~ 10Mbps, Secondaire : 32Kbps ~ 1Mbps
	Compression	Primaire H.264, Secondaire : H.264/MJPEG
	Sortie de test	Composite / HD-SDI (option)
Audio	Compression/échanti.	G.711 / AAC, G.711 : 8KHz, AAC : 32KHz , mode full duplex
	Bitrate	G.711 : 64Kbps, AAC: 64Kbps/128Kbps
	Entrée/Sortie	1 x Line-In (mono, RCA type), 1 x Line-Out (mono, RCA type)
PTZ	Angle/vitesse	Horizontal: 360°, Vertical: 90°, 0.1° ~ 360°/sec et 500°/s entre preset
	PTZ functionalitiesAngle	Preset (128), Pattern (4), Swing (8), Group (8), Auto parking, Zoom proportional jog, Freeze on position move, Power-up action, Event holding
Réseau	Interface	Ethernet 10/100base-T (RJ-45)
	Protocoles	IPv4/v6, TCP, UDP, IGMP(Multicast), ICMP, DHCP, HTTP, HTTPS, RTP, RTSP, FTP, SNMP, SMTP, UPnP, WS-Discovery, Zero Configuration, NTP.
Event et Alarm	Sources d'alarmes	Mouvement, déconnexion, sensor
	Actions	Notification(E-mail), FTP, PTZ preset, enregistrement
	Connectique	2 x entrées sensor contact sec (NO) (NO/NC) 2 x sorties alarme contact sec 1 x RS-485 port: PTZ
	Stockage local	SD/SDHC slot
	Alimentation	Min DC12V/3.0A, Min AC24V/2.5A, PoE+(Power over Ethernet) : 802.3at
	Power consumption	DC12V/PoE+ : Max 24W, AC24V : Max 48W
	Environnement /certifs.	-10°C ~ 50°C / 20% ~ 80% RH, IP67, CE, FCC, KC, ROHS
	Dimensions/poids	Dome : Ø148 mm 3kg

TruenCAM-570-S22T

Dôme IP PTZ Megapixel 1080p Zoomx20



- Capteur CMOS 1/2,8"
- Résolution 1920 x 1080 à 30 images/s
- Anti éblouissement BLC & WDR
- ASER(Auto Slow Exposure Response)
- Caméra jour/nuit avec filtre IR
- Débit réglable de 32kbps ~ 10mbps
- Stockage local par SD card, distant par FTP
- Communication audio bidirectionnelle (G.711/AAC)
- Double flux (H264/H264, H264/MJPEG)
- PoE(Power over Ethernet) : 802.3at
- Zoom x 20 optique et x12 digital
- focale=3.5mm ~ 70mm, F1.6 ~ F3.5
- Sortie vidéo composite et HD-SDI (en option)
- 360° sans butée
- 128 presets, 8 swings, 4 patterns, 8 groups
- privacy mask function
- Vandal-proof, IP67
- ONVIF, PSIA compliant



WALL MOUNT TYPE

CEILING MOUNT TYPE

Section		TruenCAM-570-S12xT
Caméra	Capteur	1/2,8" Exmor CMOS
	Zoom	Optique x20 et numérique x12
	Focale/ouverture/shutter	f= 4,7 ~ 94mm, F1.6 ~ F3.5 ~ 1/10000 sec
	Angle de vue	Horizontal : 55.4°(grand angle) ~ 2.9°(zoom)
	Sensibilité	Normal : 1.7Lux(couleur), 0.3Lux(N&B, filtre ICR On, 50 leds) Haute sensibilité: 0.5Lux(couleur), 0.095Lux (N&B, filtre ICR On, 50 leds)
	Masques privatifs, Flip	Yes, Horizontal, Vertical
	Amélioration d'image	AE, AWB, AGC, TDN, WDR, BLC, DNR, DSS
	Compression/résolution	H.264, MJPEG, de 352x240 à 1920x1080
	Nombre Images/s	Max 30 Images/s @ 1280x720
	Débit des deux flux	Primaire: 32Kbps ~ 10Mbps, Secondaire : 32Kbps ~ 1Mbps
	Compression	Primaire H.264, Secondaire : H.264/MJPEG
	Sortie de test	Composite / HD-SDI (option)
	Compression/échanti.	G.711 / AAC, G.711 : 8KHz, AAC : 32KHz , mode full duplex
	Bitrate	G.711 : 64Kbps, AAC: 64Kbps/128Kbps
	Entrée/Sortie	1 x Line-In (mono, RCA type), 1 x Line-Out (mono, RCA type)
	Angle/vitesse	Horizontal: 360°, Vertical: 90°, 0.1° ~ 360°/sec et 500°/s entre preset
	PTZ functionalitiesAngle	Preset (128), Pattern (4), Swing (8), Group (8), Auto parking, Zoom proportional jog, Freeze on position move, Power-up action, Event holding
	Interface	Ethernet 10/100base-T (RJ-45)
	Protocoles	IPv4/v6, TCP, UDP, IGMP(Multicast), ICMP, DHCP, HTTP, HTTPS, RTP, RTSP, FTP, SNMP, SMTP, UPnP, WS-Discovery, Zero Configuration, NTP, DDNS
	Sources d'alarmes	Mouvement, déconnexion, sensor
	Actions	Notification(E-mail), FTP, PTZ preset, enregistrement
Connectique	2 x entrées sensor contact sec (NO) (NO/NC) 2 x sorties alarme contact sec 1 x RS-485 port: PTZ	
Stockage local	SD/SDHC slot	
Alimentation	Min DC12V/3.0A, Min AC24V/2.5A, PoE+(Power over Ethernet) : 802.3at	
Power consumption	DC12V/PoE+ : Max 21.6W, AC24V : Max 48W	
Environnement /certifs.	-10°C ~ 50°C / 20% ~ 80% RH, IP67, CE, FCC, KC, ROHS	
Dimensions/poids	Dome : Ø148 mm 3kg	



Société Française d'Emetteurs

TCAM-570IR-S20F

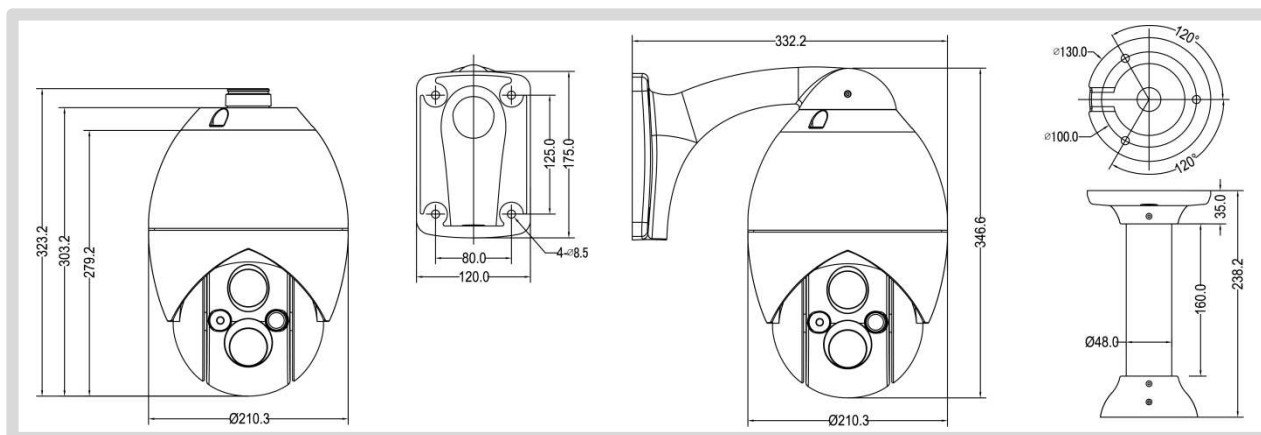
“1080p, x20 Zoom IP PTZ Camera”



- 1/3" CMOS Progressive Image Sensor
- Max. 30fps @ 1920 x 1080 / 1280 x 720
- x20 Optical Zoom, x12 Digital Zoom
- 1.7Lux(color), 0.3Lux(B/W, ICR On) with 50IRE
- Dual Streaming (H.264/H.264, H.264/MJPEG)
- True Day & Night(ICR)
- RS-485 Communication, Pelco D or Pelco P Protocol
- Motion Detection for Instant Alarm & Recording
- Two Way Audio Communication (G.711/AAC)
- ONVIF, PSIA Compliant
- FTP Recording
- Adjustable Video Bitrate : 32Kbps ~ 10Mbps for Primary Video, 32Kbps ~ 1Mbps for Secondary Video
- Composite / HD-SDI Video Output (Optional)
- Fast & Smooth Motion with 360° Pan Rotation
- Max. 128 Presets, Max. 8 Swings, Max. 4 Patterns, Max. 8 Groups Function, Privacy Mask Function
- Vandal-Proof & IP66
- WDR (Wide Dynamic Range), BLC (Back Light Compensation)
- Auto Parking / Power Up Action function



Dimension



Section		TCAM-570IR-S20F
Camera	Image sensor	1/3" Progressive Scan CMOS
	Synchronization	Internal
	Horizontal resolution	900TV line
	Minimum illumination	1.7Lux(color), 0.3Lux(B/W, ICR On) with 50IRE, F1.6
	S/N ratio	50 dB
	Electronic shutter speed	DSS Auto / Off
	DSS (Digital slow Shutter)	Supports
Image Enhancement	Automatic gain control	Auto
	AE control	Full Auto, Manual, Shutter priority, Iris priority, Bright,
	White balance mode	Auto, Manual, Outdoor, Indoor, Outdoor Auto
	True day & night (TDN)	Auto, Day, Night, Threshold(Night to Day)
	Backlight compensation	On/Off
	WDR (Wide Dynamic Range)	On/Off
	De-Mist	TBD
	Digital noise reduction (filter)	Off/ 5Level
	Flickerless (Frequency mode)	Not available
	Motion detection	Supports
	Privacy masking	Supports (8 zones)
	Image adjustment	Not available
	Flip mode	Horizontal, Vertical
	Lens	Lens type
Lens mount		Not available
Digital zoom		x12 Digital Zoom
Focal length		f=4.7mm ~ 94mm
Maximum aperture ratio		F1.6 ~ F3.5
Minimum focus length		1cm ~ 25m (14 level)
IR LED		Available
Angle of view		Horizontal : 55.4(wide) ~ 2.9(tele)
Video	Video compression	H.264 HP level4
	Max Frame rate	30fps
	Bitrate	Primary : 32Kbps ~ 10Mbps & Secondary : 32Kbps ~ 1Mbps
	Resolutions (Max)	1920 x 1080
	Video streaming	Primary : H.264, Secondary : H.264, MJPEG
	Video output	Composite / HD-SDI (Optional)
	Backup	FTP
Audio	Audio compression	G.711 , AAC
	Audio sampling rate	G.711 : 8KHz, AAC : 32KHz
	Audio input/output	1 x line-out (mini-stereo, single mono) / loop back
Infrared	IR distance	100 ~ 150m (auto)
	Wave	850nm
PTZ control	Panning / Tilt range	360° / 90°
	Preset Speed	240°/sec (Preset Accuracy: ±0.1° /sec)
	Manual Speed	0.1° ~ 180°/sec (zoom proportioNot available)/0.1° ~ 110°/sec (zoom proportioNot available)
	Swing Speed	TBD (will be cheked)
	Preset positions	128
	Pattern / Swing	4(approximate 8 minutes for each pattern)/ 8
	Group	6 Programmable (maximum 20 entries for each group)
	PTZ protocol	Pelco-D, Pelco-P
	Auto parking	Supports
Network	Network interface	Ethernet 10/100base-T (RJ-45)
	Network protocol	TCP/IP, UDP, Multicast, DHCP, SMTP, HTTP, HTTPS, SNMP, RTP, RTSP, UPnP, WS-Discovery, Zero Configuration, DDNS
Integration interface	API	TSDK, PSIA, OnVIF
	Serial connectors	1 x RS-485
	Sensor input	2 x photo-coupler input
	Alarm output	2 x relay output (normal open)
General	Ingress protection rating	IP 66
	Certifications	CE, FCC, RoHS(TBD)
	Power supply	DC 12V/5.0A , AC24V
	Power net consumption	'AC24V : 4W~48W DC12V : 4W~35W
	Operating temperature	+12VDC : -40°C ~ 50°C
Real Operation Temperature	'+12VDC : -40°C ~70°C (12°F ~ 122°F)	

CAM-7300

“5.0Megapixel IP Camera”

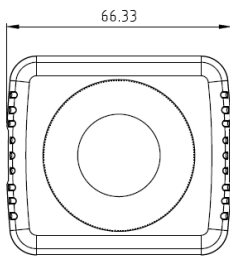


- 1/2.5" CMOS Progressive Image Sensor
- Max 10fps @ 2592 x 1936, 20fps @ 2048 x 1536 with H.264 compression algorithm
- 0.3lux(day), 0.2lux(night) with 30IRE
- Dual Streaming (H.264/H.264, H.264/MJPEG)
- True Day & Night(ICR)
- RS-485 Communication, Various Type of Protocol supported
- Motion Detection
- Two Way Audio Communication (G.711/AAC)
- ONVIF, PSIA Compliant
- SD Card, FTP Recording
- PoE(Power over Ethernet) : 802.3af
- Adjustable Video Bitrate : 32Kbps ~ 10Mbps for Primary Video, 32Kbps ~ 1Mbps for Secondary Video
- Composite Video Output for Lens Adjustment
- Various Type of Event ; Sensor, Video Loss, Motion Detection

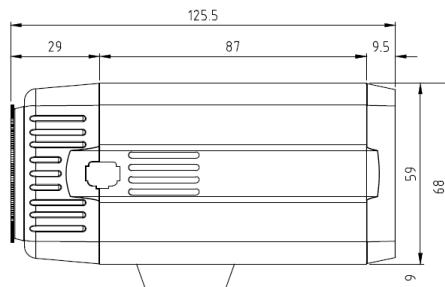


Dimension

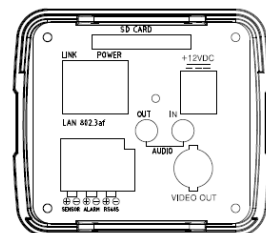
[Unit : mm]



Front



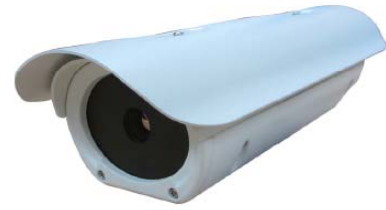
Side



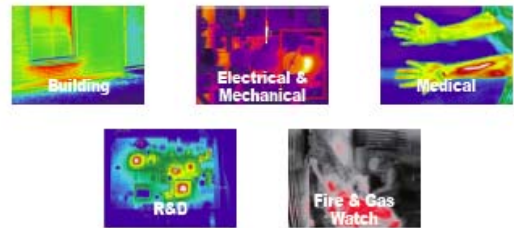
Rear

Truen CAM-4020

Thermal Imaging IP Camera

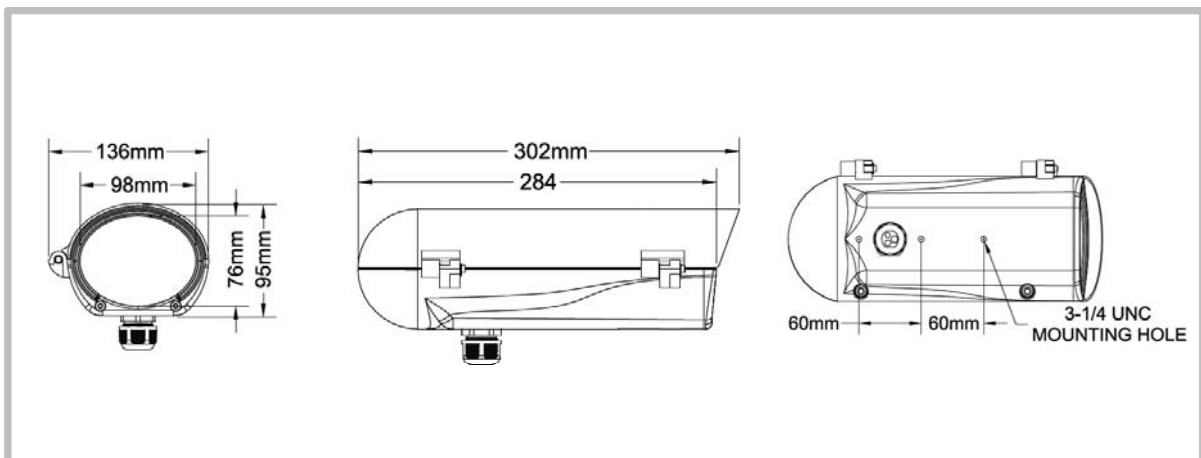


- FPA, Uncooled ASi Microbolometer
 - Crisp and clear Images
 - : 384 x 288 pixels, 25um
- 30fps @ 384 x 288
- Electronic zoom x2, x4
- Adjustable video bitrates : 32kbps ~ 10mbps
- Supports SD card, FTP recording
- Two way audio communication (G.711/AAC)
- PoE(Power over Ethernet) : 802.3af
- Dual streaming (H.264/H.264, H.264/MJPEG)
- Motion detection
- RS-485 communication, Pelco D or Pelco P protocol
- ONVIF, PSIA compliant



Lens Option	Model Name
20m lens	TCAM-4020
50m lens	TCAM-4050
75m lens	TCAM-4075
100m lens	TCAM-4100

Dimension



Section	TCAM-4020
Detector Type	FPA, Uncooled ASI Microbolometer 384 x 288 pixels
Image Frequency	50Hz (PAL) / 60Hz (NTSC)
Spectral Band	8~14um
Field of View	Refer to below
Thermal Sensitivity	<80mk @f/1, 60Hz, 300k
Accuracy (% of Reading)	±2°C or ±2%
Temperature Range	Normal Range : '-20°C ~ 120°C,
	High Range : '-20°C ~650°C (Optional)
Video Output	NTSC / PAL
Power Consumption	<6W
Electronic Zoom	2x, 4x
Video Compression	H.264 HP Level 3
Frame Rate	Max. 30fps
Bitrate	Pri. : 32Kbps ~10Mbps, Sec. : 32Kbps ~1Mbps
Video Streaming	Pri. : H.264 & Sec. : H.264 or MJPEG
Back Up	SD Card, FTP
Audio Compression	G.711, AAC
Audio Sampling Rate	G.711 : 8KHz, AAC : 32KHz
Audio Input/Output	1 x line-In (Stereo), 1 x line-Out (Stereo)
Interface	Ethernet 10/100base-T (RJ-45)
Protocol	IPv4/v6, TCP, UDP, IGMP(Multicast), ICMP, DHCP, HTTP, HTTPS, RTP, RTSP, FTP, SNMP, SMTP, UPnP, WS-Discovery, Zero Configuration, NTP, DDNS
Security	Password protection, IP address filtering, HTTPS encryption
Application programming interface	Truen protocol/SDK, ONVIF, PSIA
Sensor Input	1 x NO Contact
Alarm Output	1 x NO Contact
Certification	CE, FCC
Power Supply	AC24V, DC12V/0.5A, PoE (Power over Ethernet) : 802.3af
Operation Temperature	- 40°C ~ 50°C
Dimension	302mm (L) x 136mm (W) x 95mm (H)
Weight	5.3Kg